

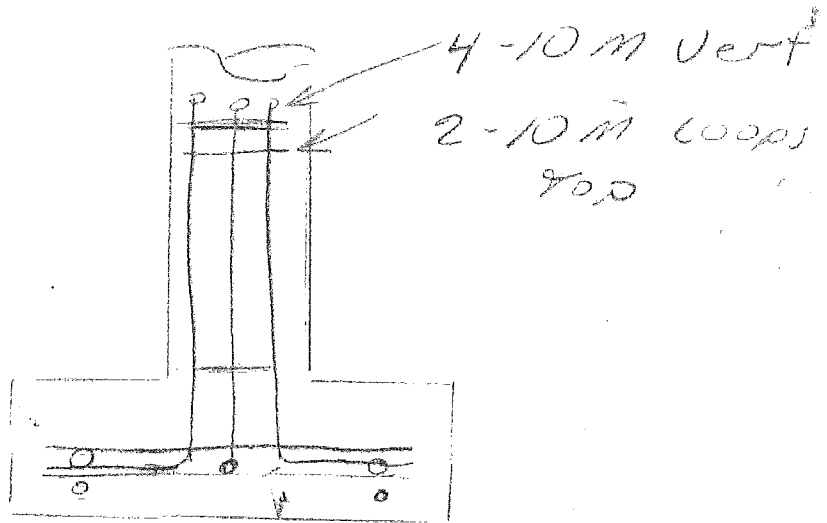
Time 2:40 PM
Weather 10°
Clear

FIELD REPORT

PROJECT B Whithers Deal Addn JOB No. 2012-120
15170 Columbia Ave DATE Aug 24, 2012

Footings & Column Reinforcement
Review

Photos taken as
record



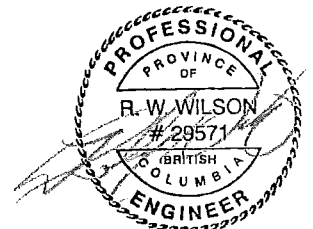
Add 2-10M
EACH WAY
BOTTOM TO
EXISTING 10M placed

Reinforcement to be

For: CONTRACTOR completed

For: LUIZ LEON & ASSOCIATES LTD.

prior to pour



ANY CORRECTIVE WORK NOTED ABOVE REQUIRES THE IMMEDIATE ATTENTION OF THE CONTRACTOR AND CONSTITUTES WRITTEN INSTRUCTIONS TO BRING THE WORK INTO CONFORMITY WITH THE PLANS AND SPECIFICATIONS AT NO EXTRA COST TO THE OWNER. THIS SHALL NOT BE CONSTRUED AS A COMPLETE LIST NOR SHALL IT RELIEVE THE CONTRACTOR FROM THE RESPONSIBILITY FOR THE PROPER PERFORMANCE OF HIS WORK IN ACCORDANCE WITH THE CONTRACT DOCUMENTS.